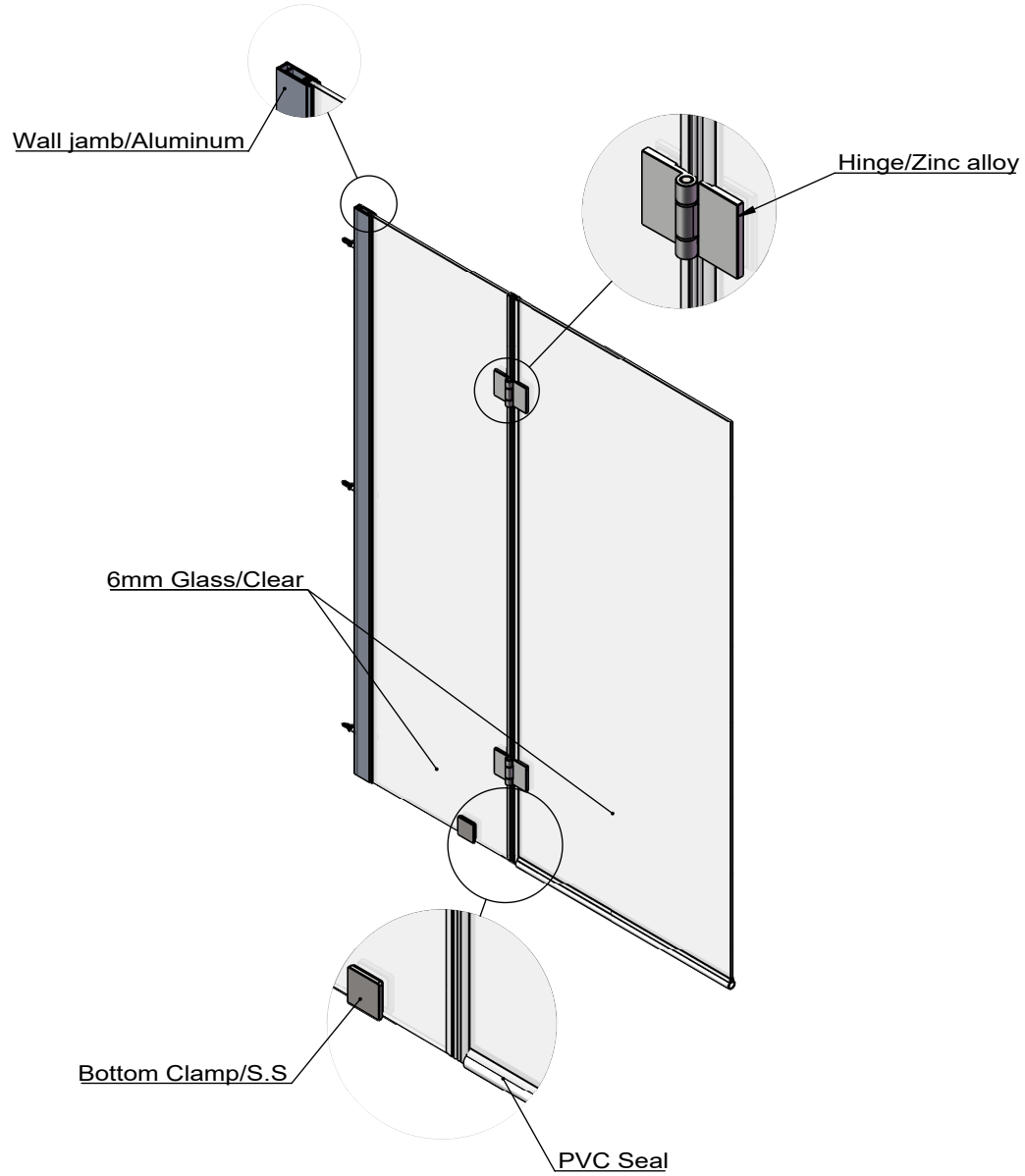
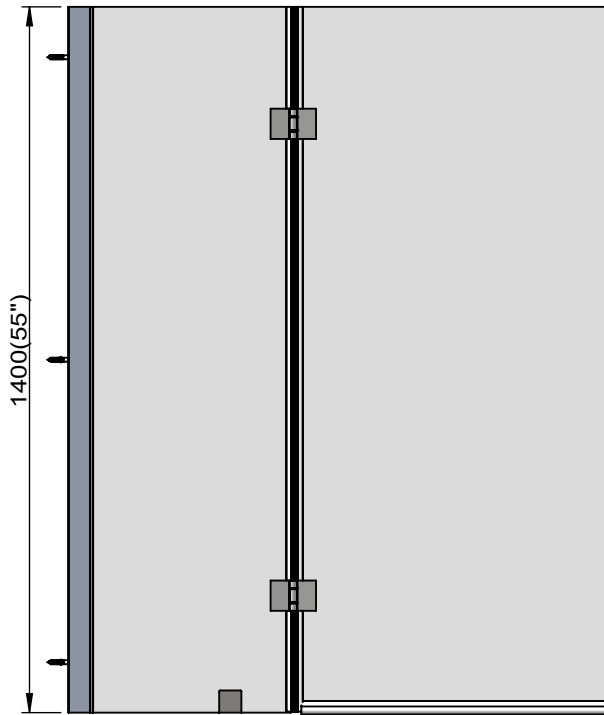
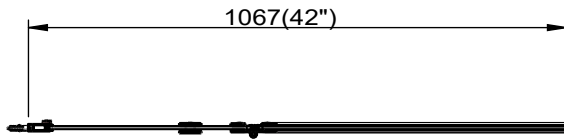


Product Assembly Drawing



APPROVED			
A/1	2022.5.11	Change L-support bar	Arnold
A/0	2022.5.6	-	Arnold
ISS.	Date	MODIFICATION	By
FINISH	Matte black/Clear	TEMPERED GLASS THICK	6 mm
PROJECT	-		
DWG NAME	Swing door-42X55		
DWG No.	Q22-051-04		